

# GVA Ball Valves

## GVA BALL VALVES

Suitable for industrial & Domestic use for pneumatics, hot water, potable water, LPG, natural gas and compressed air (not suitable for steam).

### VALVE SPECIFICATION:

#### Minimum and maximum working temperatures:

Air	15 to 90°C
Gas	15 to 60°C
Water	0 to 90°C
Models	BV10F to BV100F
AGA approved to	AG201 Approval No 6515
Watermark approval to	MP52 Spec 012 Approval No. 020042
Size range	3/8" (10mm) to 4" (100mm)
Pressure rating	2500kPa
Mounting Positions	All
End connections	Female Rp 3/8" to 4"



AGA NO 6515



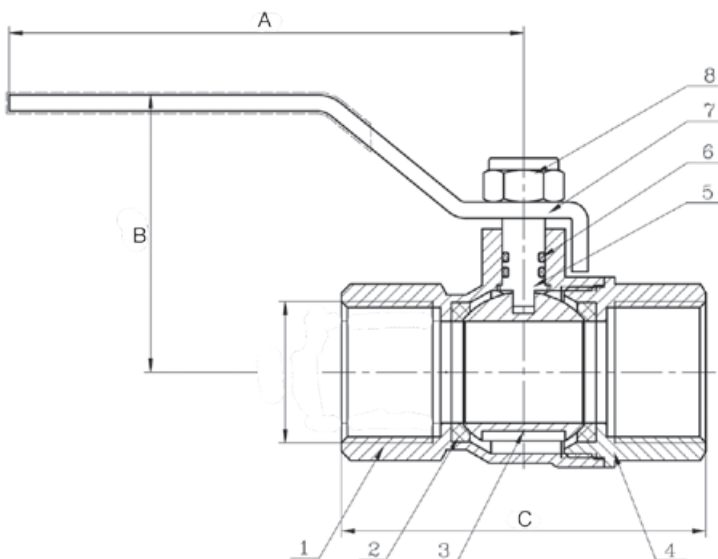
WaterMark  
ATS 5200.012  
LIC NO 020042



**BV10F - BV100F**

### BV10F - BV100F

	10MM	15MM	20MM	25MM	32MM	40MM	50MM	65MM	80MM	100MM
<b>A</b>	77	96	96	110	133	133	145	162	162	205
<b>B</b>	37	49	52	59	63	69	82	100	111	140
<b>C</b>	49	60	68	80	95	102	119	148	166	210



ITEM	DESCRIPTION	MATERIAL
1	BODY	DR BRASS
2	SEAT	PTFE
3	BALL 10-25MM	CP DR BRASS
3	BALL 32-100MM	304 STAINLESS STEEL
4	BONNET	DR BRASS
5	SPINDLE	DR BRASS
6	O RING	NITRILE
7	HANDLE	304 STAINLES STEEL
8	NUT	304 STAINLES STEEL